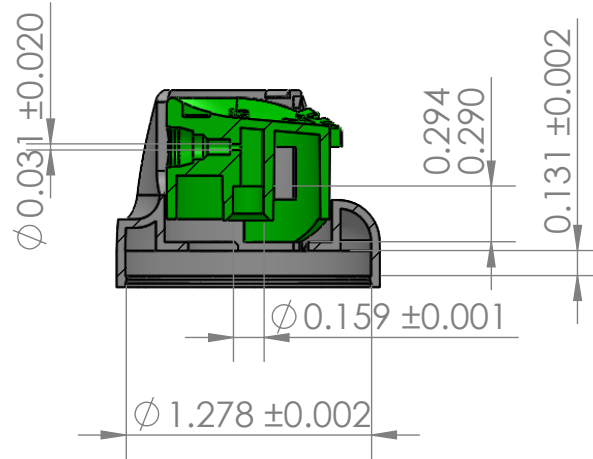
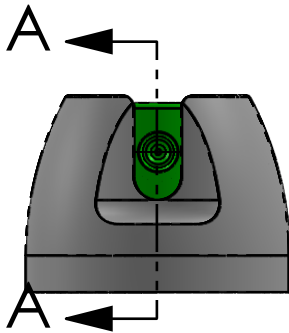
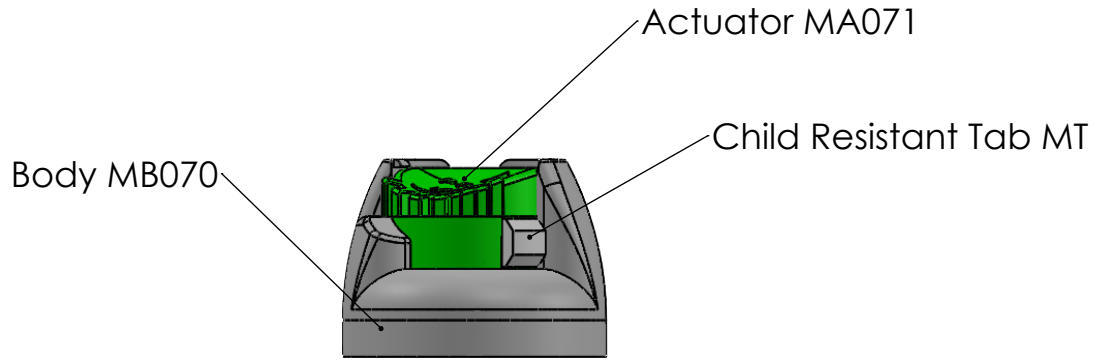
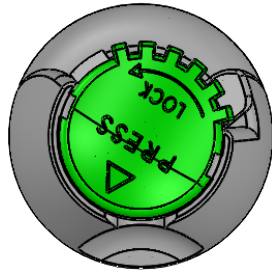


2

1

XXX will refer to color



SECTION A-A

B

B

A

A

PROPRIETARY AND CONFIDENTIAL
 THE INFORMATION CONTAINED IN THIS DRAWING IS THE SOLE PROPERTY OF PACKAGING CONCEPTS ASSOCIATES. ANY REPRODUCTION IN PART OR AS A WHOLE WITHOUT THE WRITTEN PERMISSION OF PACKAGING CONCEPTS ASSOCIATES IS PROHIBITED.

		UNLESS OTHERWISE SPECIFIED:		NAME	DATE	PACKAGING CONCEPTS ASSOCIATES 301 Ella Grasso Avenue Torrington, CT 06790		
		DIMENSIONS ARE IN INCHES TOLERANCES: FRACTIONAL ± ANGULAR: MACH ± BEND ± TWO PLACE DECIMAL ± THREE PLACE DECIMAL ±	DRAWN			TITLE:		
		INTERPRET GEOMETRIC TOLERANCING PER:	CHECKED			ACRA071A-XXX		
		MATERIAL	ENG APPR.			SIZE	DWG. NO.	REV
		FINISH	MFG APPR.			A	ACRA071A-XXX	
NEXT ASSY	USED ON		Q.A.			SCALE: 1:1	WEIGHT:	SHEET 1 OF 1
APPLICATION		DO NOT SCALE DRAWING	COMMENTS:					

2

1