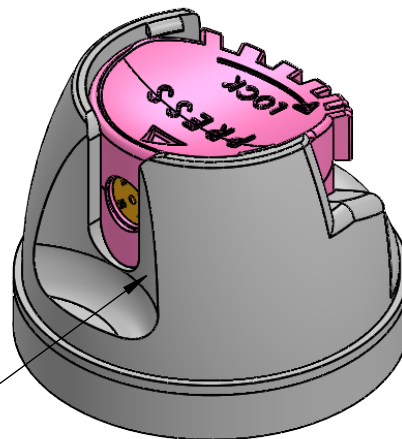
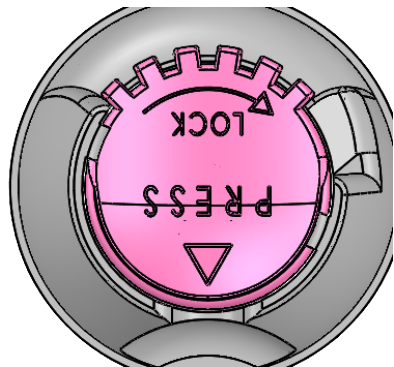


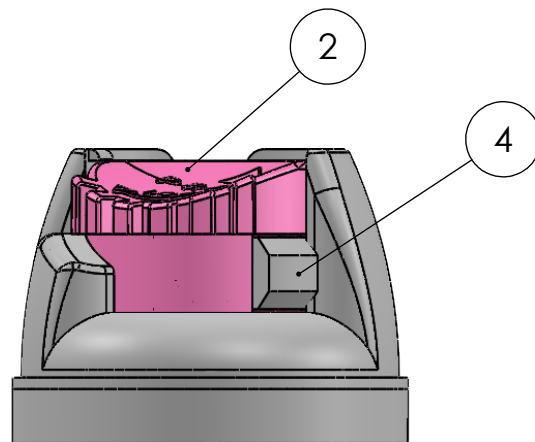
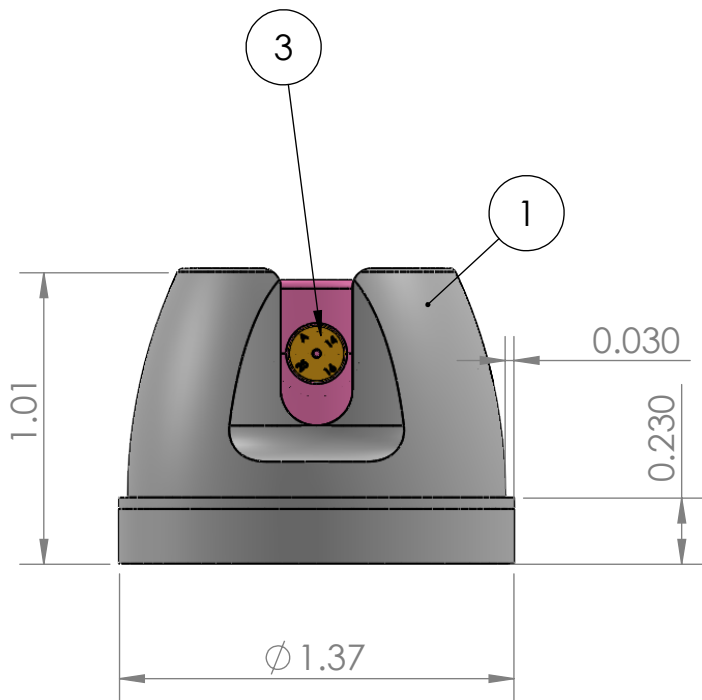
2

1

Refers to the stem height
 XXX Refers to the color
 YY Refers to the insert



Fits 1" Valve



ITEM	NAME	PART#	MATERIAL
1	BODY	MB071	POLYPRO
2	ACTUATOR	MA070	POLYPRO
3	INSERT	PE001, PE002, PE003	ACETAL
4	TAB	MT001	ACETAL

PROPRIETARY AND CONFIDENTIAL
 THE INFORMATION CONTAINED IN THIS DRAWING IS THE SOLE PROPERTY OF PACKAGING CONCEPTS ASSOCIATES. ANY REPRODUCTION IN PART OR AS A WHOLE WITHOUT THE WRITTEN PERMISSION OF PACKAGING CONCEPTS ASSOCIATES IS PROHIBITED.

		DIMENSIONS ARE IN INCHES TOLERANCES: FRACTIONAL ± ANGULAR: MACH ± BEND ± TWO PLACE DECIMAL ± THREE PLACE DECIMAL ±	NAME	DATE
		MATERIAL	DRAWN	
		FINISH	CHECKED	
NEXT ASSY	USED ON		ENG APPR.	
			MFG APPR.	
APPLICATION		DO NOT SCALE DRAWING	Q.A.	
			COMMENTS:	

PACKAGING CONCEPTS ASSOCIATES
 Torrington CT

AEROSOL ASSEMBLY

ACRA072#-XXX-YY

SIZE	DWG. NO.	REV.
A	AEROSOL ASSEMBLY	

SCALE: 1:1 WEIGHT: SHEET 1 OF 1

2

1